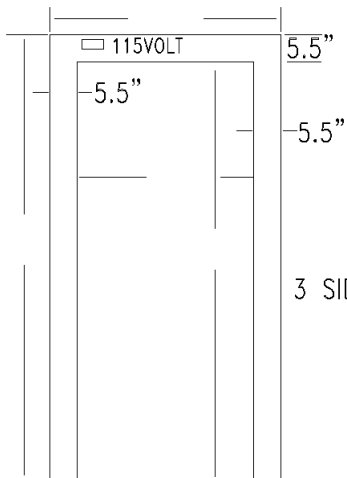


RETRO-FIT DOOR WORKSHEET

EXISTING COOLER/FREEZER



Provide the height and width of the existing opening as indicated by the open dimension lines to the left.

DESCRIPTION

COOLER _____ FREEZER _____
 HINGED: LEFT ____ RIGHT ____

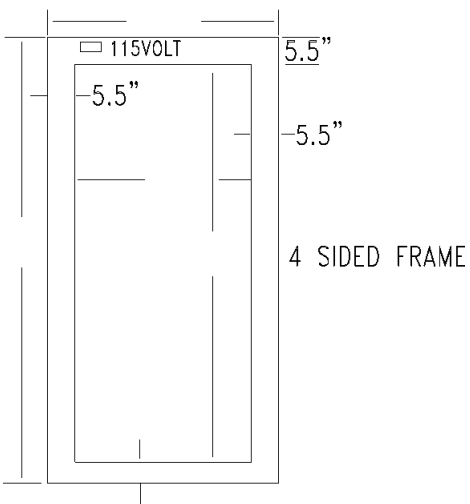
FRAME

3 SIDED _____ FOUR SIDED _____

FINISH

	<u>INTERIOR</u>	<u>EXTERIOR</u>
GALVALUME	_____	_____
ALUMINUM	_____	_____
STAINLESS	_____	_____
WHITE GALVANIZED	_____	_____
EMBOSSSED WHITE	_____	_____

EXISTING COOLER/FREEZER



OPTIONS

KICKPLATE: _____
 DOOR CLOSER: _____

SIZES AVAILABLE

30"X 72" UP TO 60"X 96"

CONTACT INFORMATION

TELEPHONE: 800-456-1440
 FAX: 502-363-3148
 E-MAIL: INFO@LVLCOOLER.COM
 WEB SITE: WWW.LVLCOOLER.COM